

The latest series of R&D Multiple's Combination type : (Air Vacuum + Air Release Valves) amalgamates exotic features with excellent workmanship to make them the unique solution for any challenging application. Be it the filling / draining of the pipeline, on-line (under flow & pressure) air release, or the anti-vacuum function at the time of pump tripping, the '**R&D Multiple's Bi-Stream Air Release Valve**' is the ultimate & most reliable solution.



THE LATEST  
**'Bi-Stream,  
Combination Type,  
Tamper-proof  
AIR VALVES'**

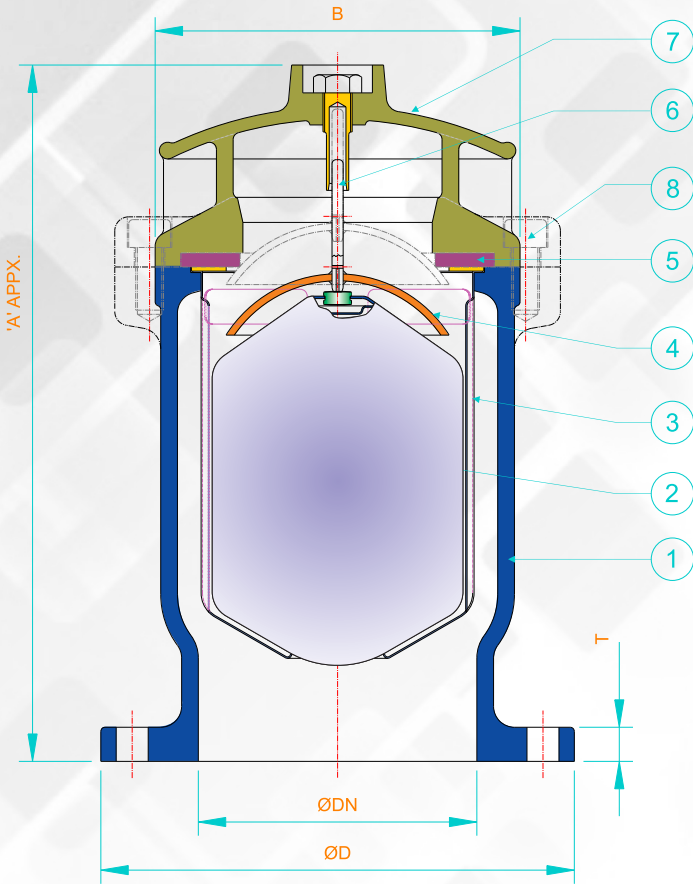
**SPECIAL FEATURES :**

- Efficient & aero-dynamic flow passages.
- One piece tamper-proof cover allowing free movement of large volumes of air.
- Straight through air release opening of large size.
- Perfectly centered, precision guided float travel.
- The design & construction precludes premature slam-shutting of the float.
- Long life resilient seal which is replaceable at site with st. steel backing ring.
- Floats of optimum dimensions, volume & specific gravity ensuring quick response to level changes.
- Can be supplied with gate valve / butterfly valve as isolation valve.
- Very high air movement rates: (Inlet & outlet)



To contact us, scan QR

## BI-STREAM : COMBINATION TYPE TAMPER-PROOF AIR RELEASE VALVE



NO.	PART NAME	MATERIAL
1.	VALVE BODY	D.I. IS 1865 Gr. 500/7
2.	FLOAT	STAINLESS STEEL AISI 304
3.	CAGE FOR FLOAT	STAINLESS STEEL AISI 304
4.	HOOD	S.S. ASTM A351 Gr. CA15
5.	SEAL	EPDM RUBBER
6.	GUIDE ROD FOR HOOD	STAINLESS STEEL AISI 410
7.	VALVE COVER	D.I. IS 1865 Gr. 500/7
8.	FASTENERS	C.S. IS 1367 / S.S.

*DN (Size)	A	B	ØD	DT
50mm	270	165	165	16
80mm	330	190	200	21
100mm	370	210	220	22
150mm	500	265	285	23
200mm	500	265	340	24.5

NOTES : 1) All dimensions are in mm unless otherwise specified.  
2) Views and dimensions are typical. They may change in specific cases.

### SALIENT FEATURES :

- Very efficient air release/ inlet mechanisms.
- Specially designed tamperproof cover allowing free, all-round (360 Degrees) air movement.
- Stainless steel float & cage design allowing precision, long guides to the float all through-out the travel ensuring perfectly centred float always.
- Aero-dynamically designed large flow passages.
- Combination of Air-Vacuum & Air Release functions.
- Sturdy & robust construction.
- Float not subjected to differential pressure & hence chances of sticking/ necking are precluded.
- Choice of shell MOC : CI / SGI / CS / SS / D2 to suit applications.  
All internal active working parts: Stainless Steel.
- PN10 / 16 /25 Pressure Ratings. (Enquire for Others).
- Complies with the requirements of IS 14845 & AWWA- C512.

